

THIS DRAWING IS UNPUBLISHED. RELEASED FOR PUBLICATION
 © COPYRIGHT - By - ALL RIGHTS RESERVED.

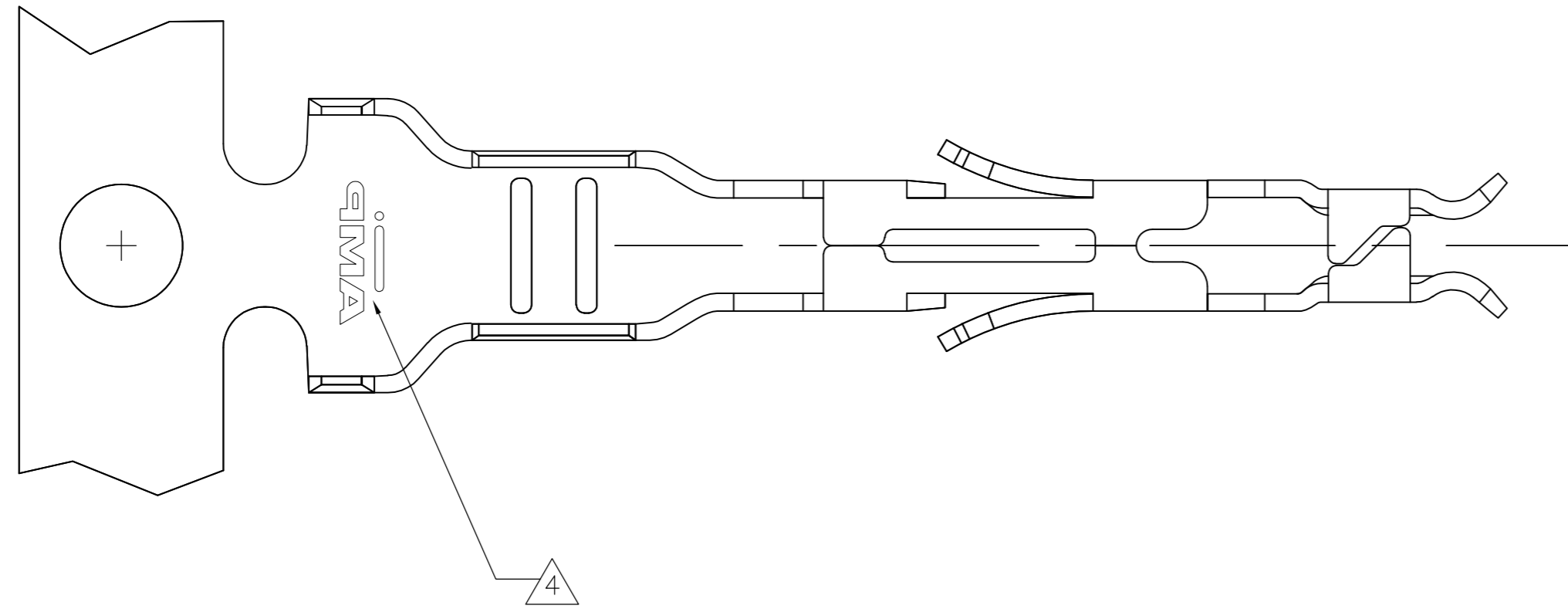
LOC		DIST		REVISIONS			
P	LTR	DESCRIPTION		DATE	DWN	APVD	
CM	00	H1	REVISED PER ECO-11-004917		11MAR11	RK	HMR

D

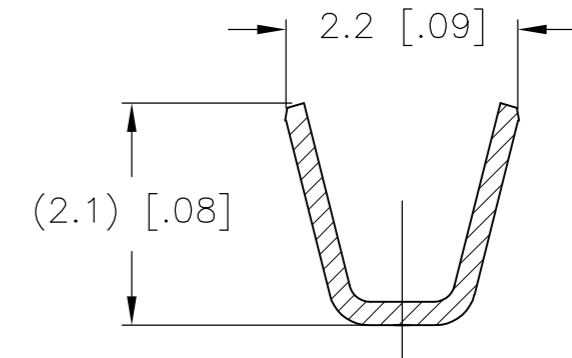
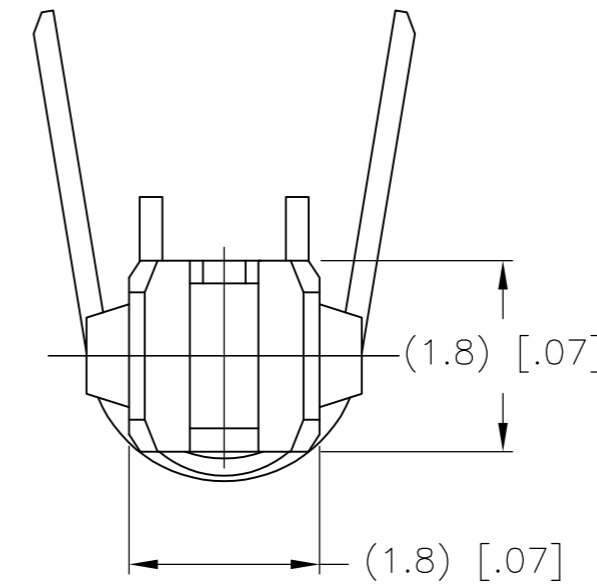
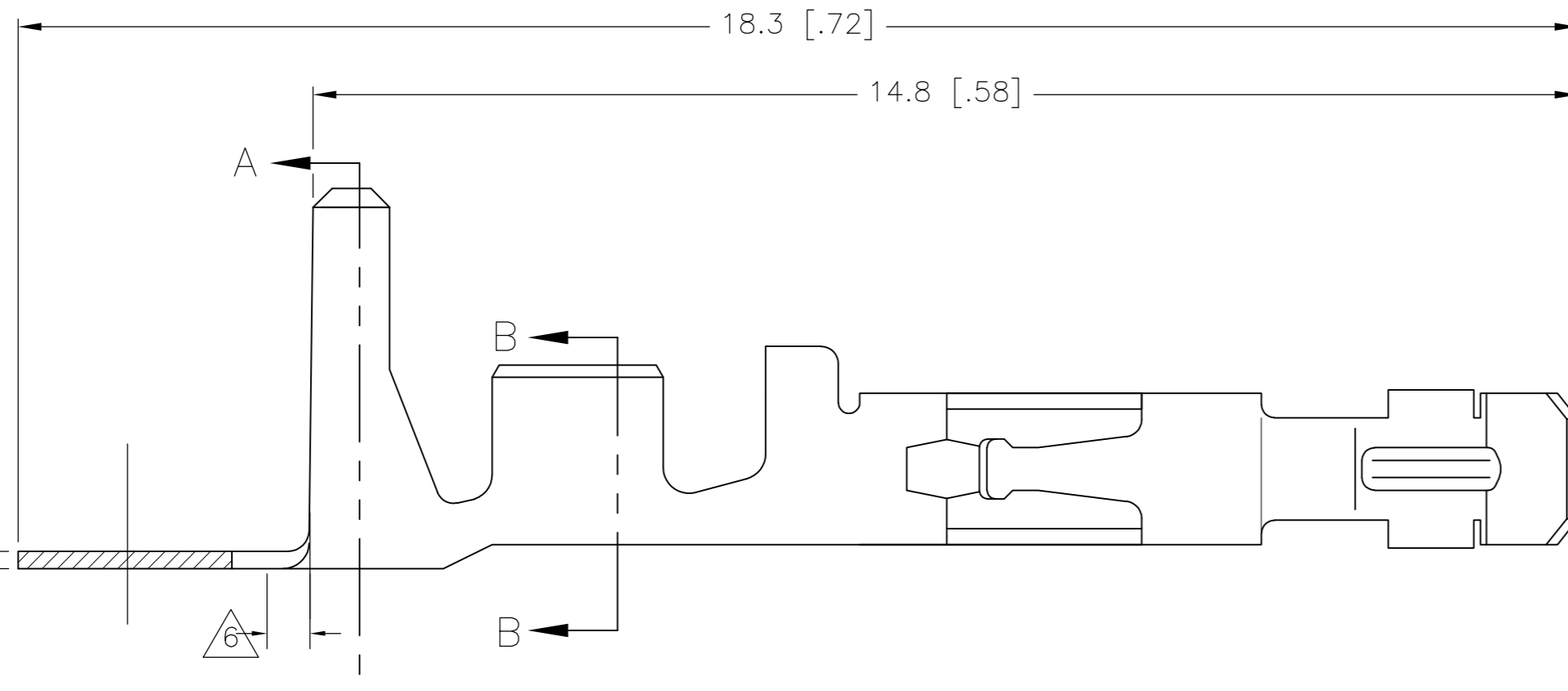
C

B

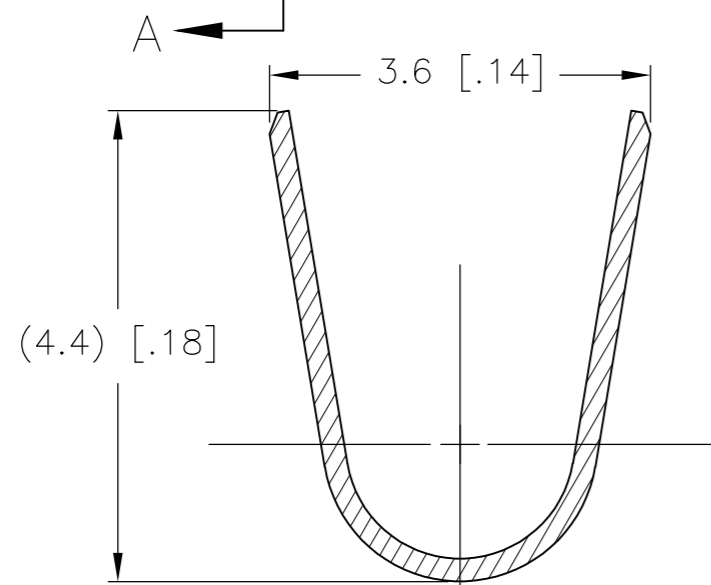
A



1. HAND TOOL PART NUMBER 734202-2.
2. EXTRACTION TOOL PART NUMBER 188688-1
3. LOOSE PIECE CONTACT
4. AMP TRADEMARK
5. MATERIAL PHOSPHOR BRONZE PRETINNED 1-3μm
6. CUT OFF DIMENSION FOR LOOSE PIECE CONTACT 0.5 [.02] MAXIMUM.
7. WIRE RANGE: 0.30-0.87mm² [.012-.034in²], (18-22 AWG).
8. INSULATION RANGE: 1.50-2.40 [.059-.094] DIAMETER.

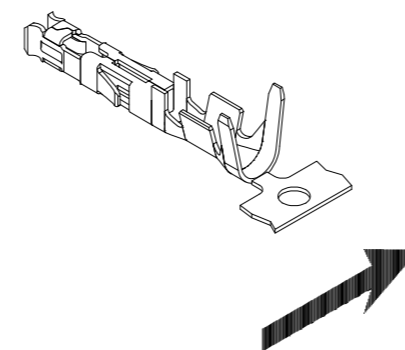


SECTION B-B
SCALE 14:1



SECTION A-A
SCALE 14:1

DIRECTION OFF TOP OF REEL



THIS DRAWING IS A CONTROLLED DOCUMENT.	
DIMENSIONS: mm [INCHES]	TOLERANCES UNLESS OTHERWISE SPECIFIED:
0 PLC ±	1 PLC ±
2 PLC ± 0.10 [.004]	3 PLC ±
4 PLC ±	ANGLES ±
MATERIAL SEE CHART	FINISH SEE CHART

DWN S. HOOVER 29-JAN-2004	TE Connectivity	
CHK D. COLEY 29-JAN-2004	NAME	
APVD D. COLEY 29-JAN-2004	SOCKET CONTACT AMP-DUAC™	
PRODUCT SPEC	SIZE A2	CAGE CODE 00779
APPLICATION SPEC	DRAWING NO C=106529	RESTRICTED TO -
WEIGHT	SCALE 14:1	SHEET 1 of 1
CUSTOMER DRAWING	REV H1	

3	PRETINNED	PHOSPHOR BRONZE	1-106529-2
	PRETINNED	PHOSPHOR BRONZE	106529-2
	FINISH	MATERIAL	PART NUMBER